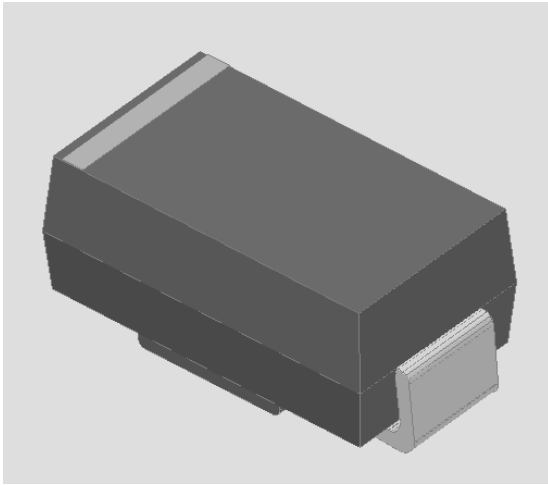


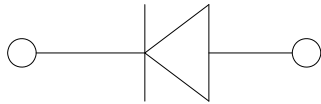


Surface Mount Schottky Rectifier



Features

- " /RZ SURILOH SDFNDJH
- " ,GHDO IRUWDHGWSPDFHFPHQW
- " *XDUGULQJ IRU RYHUYROWDJH SURWHFWLRC
- " /RZ SRZHU ORVVHV KLJK HILFLHQF\
- " +LJK IRUZDUG VXUJH FDSDELOLW\
- " 0HHWV 06/ OHYHO SHU - 67' /) PD[LXP
- RI f &
- " 3DUW QR ZLWKHVDVLRQ SHUPLWV DGDGV VRO
- 67' DQG -(6' %
- " Polarity: & DWKRGH OLVQWKHQRWKRGR



Maximum Ratings 8QOHVV RWKHUZZLVH VSHFLILHG

PARAMETER	SYMBOL	UNIT	SS22AQ	SS23AQ	SS24AQ
'HYLFH PDUNLQJ FRGH			66 \$	66 \$	66 \$
5HSHWLWLYH SHDN UHYHUVH YROWDJH	V_{R0}	9			
0D[LXP 506 YROWDJH	V_{506}	9			
0D[LXP '& EORFNLQJ YROWDJH	$V_{\&}$	9			
0D[LXP DYHUDJH IRUZDUG UHFWLILHG FXUUHQW	I_{AV}	DW 7 \$			
6XUJH QRQ UHSHWLWLYH IRUZDUG FXUUHQW	I_{SM}	\$			
9ROWDJH UDWH RI FFKDQJH UDWHG	V_{G9}	9 V			
6WRUDJH WHPSHUDWXUH	T_{VWJ}	-		a	
-XQFWLRQ WHPSHUDWXUH DQG VWRUDJH WHPSHUDWXUH				a	

Electrical Characteristics 8QOHVV RWKHUZZLVH VSHFLILHG

PARAMETER	SYMBOL	TEST CONDITIONS	TYP	MAX	UNIT
,QVWDQWDQHRXV IRUZDUG YROWDJH			7. -		9
			7. -		
5HYHUVH FXUUHQW	5	5DWHG	7. -		\$
			7. -		P\$
7\SLFDO MXQFWLRQ FDSDFLWDQFH		5 9 0 +&	9		S)



SS22AQ THRU SS24AQ

v



SS22AQ THRU SS24AQ

v Outline Dimensions

DO-214AC(SMA)		
'LP	0LQ	0D
\$		
%		
&		
'		
(
)		
*		
+		
,		

Suggested Pad Layout



DO-214AC(SMA)	
'LP	0LOOLPHWHUV
3	
3	
3	
4	
4	

